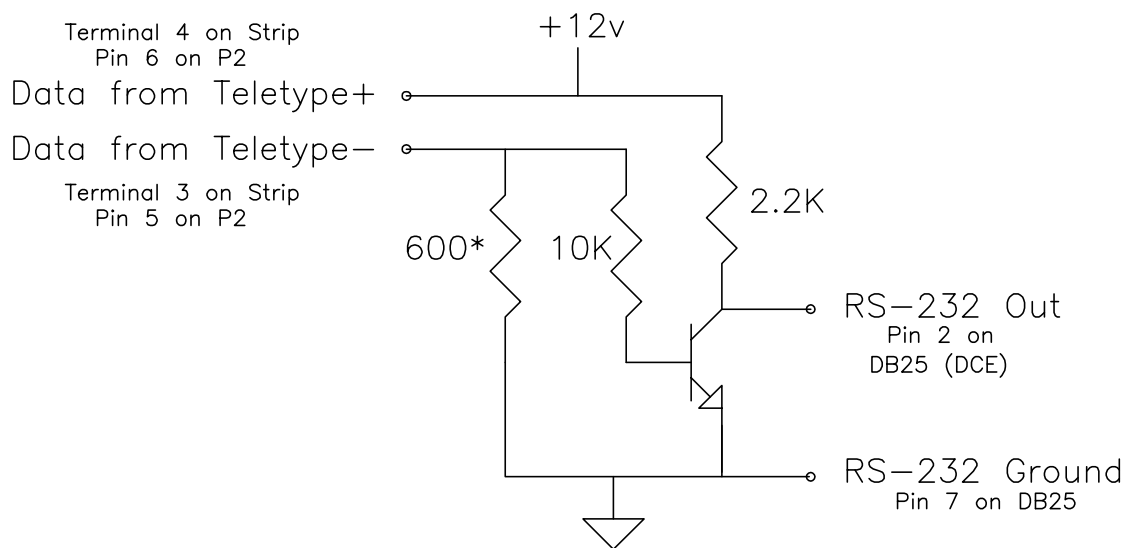
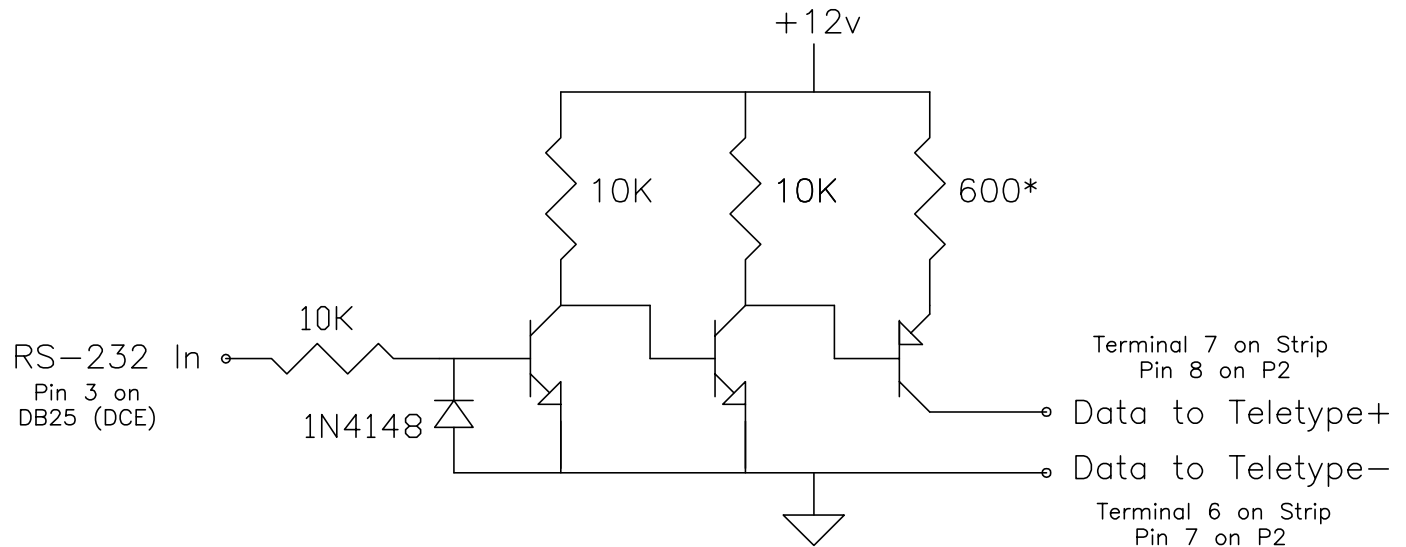


RS-232 to ASR-33 Teletype Interface

Board fits in the front of the UCC.

An AC adapter in the convenience outlet fits inside the TT cover.



RS-232 logical "1" sent at ground level, not -12v.
(Most RS-232 receivers work fine with this)

NPN (e.g. 2N4401, 2N3904)

PNP (e.g. 2N4403, 2N3906)

*Use 560 or 620, 1/2w or...
(1.2K || 1.2K) or (1K || 1.5K), 1/4w

Version 1.1
8/21/15